

A3 | S3

Sportback

March 2021

The Audi A3 and S3 Sportback.

Beautiful design. Luxurious interiors. Our latest technology. The Audi A3 range includes innovative features such as Audi smartphone interface, Audi virtual cockpit and Matrix LED headlights so you can make your A3 your own.

This pricelist will make it easy for you to build your A3 or S3, taking you through all the model, engine and option choices. The online configurator is also available to build your dream car.





Standard Equipment | A3

Wheels:

- ▶ Cast aluminium alloy wheels, 5-arm kinetic design, size 7.5J x 17 with 225/45 R17 tyres
- ▶ Anti-theft wheel bolts
- ▶ Space-saving spare wheel

Performance & suspension:

- ▶ Audi Drive Select
- ▶ Electronic Stabilisation Programme (ESP)
- ▶ Electronic stability control (ESC)
- ▶ Start/stop system
- ▶ Servotronic steering
- ▶ Cruise control
- ▶ Speed limiter
- ▶ Hill hold assist

Lighting:

- ▶ Xenon plus headlights
- ▶ All-weather lights
- ▶ Automatic headlight range adjustment
- ▶ Light / rain sensor
- ▶ Rear fog lights
- ▶ Separate daytime running lights

Exterior equipment:

- ▶ Acoustic windscreen
- ▶ Additional warning lights (door area)
- ▶ Anti-theft alarm
- ▶ Car jack
- ▶ Central locking with remote control key
- ▶ Dual-tone horn
- ▶ Exterior mirror housings painted in body colour
- ▶ Exterior mirrors with integrated LED indicators
- ▶ Rear window wiper and washer system with intermittent control
- ▶ Roof spoiler
- ▶ Window pane strips in high gloss aluminium

Audio & communication:

- ▶ 8 speakers
- ▶ Bluetooth interface
- ▶ MMI radio plus
- ▶ USB and Aux-in jack

Interior equipment:

- ▶ Dipping interior mirror
- ▶ Driver and front passenger airbag with knee airbag
- ▶ Driver information system
- ▶ First aid kit with warning triangle
- ▶ Floor mats at front and rear
- ▶ Folding rear seat back
- ▶ Front centre armrest
- ▶ Front head restraints

Interior equipment (cont.):

- ▶ Front seats height adjustable
- ▶ Headlining, cloth
- ▶ Heat-insulating glass
- ▶ Index cloth upholstery
- ▶ Inlays in Micrometallic silver
- ▶ Interior Lighting package
- ▶ ISOFIX child seat mounting & top tether anchorage for outer rear seats
- ▶ ISOFIX child seat mounting for passenger seat
- ▶ Leather-covered multifunction sports steering wheel, 3-spoke design
- ▶ Luggage compartment lining
- ▶ Luggage compartment mat
- ▶ Manual air conditioning system
- ▶ Non-smoker's package
- ▶ Power-operated child safety lock
- ▶ Seat belt monitoring
- ▶ Side airbags at front and head airbag system
- ▶ Standard seats at front
- ▶ Three rear head restraints

For vehicles built in or after September 2019, the following additional standard equipment is included:

- ▶ Audi sound system
- ▶ Audi music interface
- ▶ Comfort automatic air-conditioning
- ▶ Exterior mirrors, power adjustable, heated and folding
- ▶ Rear parking aid



A3 Black Edition Package

R 39,500

Wheels:

- ▶ 18" Audi Sport cast alloy wheels, 10-spoke style, Matte Titanium Look, diamond-turned, 7.5J x 18 with 225/40 R18 tyres

Lighting:

- ▶ LED headlights incl. dynamic turn signals at rear
- ▶ LED rear lights with dynamic indicator

Exterior equipment:

- ▶ Black styling package - **sporty black highlights to the exterior, including the radiator grille, window trims and rear diffuser insert.**
- ▶ Mirror housings in high-gloss black
- ▶ S line exterior package - **features a more aggressive and sporty styling which includes: S line front and rear bumpers and side skirts, radiator grille and rear diffuser insert, S line badges on the front wings.**

Interior equipment:

- ▶ Black headlining
- ▶ Partial leather upholstery
- ▶ Storage package

For vehicles built in or after September 2019, the following additional standard equipment is included:

- ▶ Audi sound system
- ▶ Audi music interface
- ▶ Comfort automatic air-conditioning
- ▶ Exterior mirrors, power adjustable, heated and folding
- ▶ Rear parking aid



Standard Equipment (in addition to A3)

Wheels:

- ▶ Cast aluminium alloy wheels, 5-twin-spoke star design (S design), size 7.5J x 18, with 225/40 R 18 tyres
- ▶ Space-saving spare wheel 18"
- ▶ Indirect tire pressure monitoring system
- ▶ Red brake calipers

Performance & suspension:

- ▶ quattro®
- ▶ Progressive steering
- ▶ Sports suspension

Lighting:

- ▶ LED headlights incl. dynamic turn signals at rear
- ▶ LED rear lights with dynamic indicator
- ▶ Headlight washers
- ▶ Cornering and all-weather light
- ▶ Automatic headlight range adjustment dynamic (self-adjusting while driving)

Exterior equipment:

- ▶ Door sill trims with aluminium inlay
- ▶ Exterior mirror housings in aluminium look
- ▶ High-gloss package
- ▶ S line roof spoiler

Audio & communication:

- ▶ Audi sound system

Interior equipment:

- ▶ Aluminium look in interior
- ▶ Leather/fabric seat trim covers
- ▶ Interior mirror with automatic anti-glare action
- ▶ Deluxe automatic air conditioning
- ▶ Door sill trims with aluminium inlay
- ▶ Driver information system with colour display
- ▶ Front sports seats
- ▶ Front seats with height adjustment & retractable thigh support
- ▶ Inlays, Matt brushed aluminium
- ▶ Leather-covered multifunction sports steering wheel, 3-spoke, flat-bottomed, with shift paddles
- ▶ Pedals and footrest in stainless steel
- ▶ Storage compartment and luggage compartment package

For vehicles built in or after September 2019, the following additional standard equipment is included:

- ▶ Audi music interface
- ▶ Exterior mirrors, power adjustable, heated and folding
- ▶ Parking aid plus



Engines

Engine	Fuel type	Transmission	Power output (kW)	Torque (Nm)	Fuel consumption (l/100 km)			CO ₂ emissions (g/km)	0 – 100 km/h (sec)	Top speed (km/h)	RRP*
					Urban	Extra urban	Combined				
30 TFSI	Petrol	S tronic	85	200	5.6	4.2	4.7	104	9.9	206	R 519,410
35 TFSI	Petrol	S tronic	110	250	6.0	4.3	4.9	111	8.2	220	R 563,910
40 TFSI	Petrol	S tronic	140	320	7.2	4.8	5.7	126	6.8	250	R 589,910
S3 TFSI quattro	Petrol	S tronic	228	400	8.2	5.5	6.5	149	4.6	250	R 799,689











Fuel consumption and CO₂ data applies to the German Market. The specified values are determined in accordance with certain test procedures. The specifications do not refer to an individual vehicle but serve only as a basis for comparing the different types of vehicles. In addition, the consumption figures achieved during normal driving may differ from the test values, depending in particular on special equipment fitted, vehicle loading, personal driving style, road and traffic conditions, environmental factors and conditions of the car

* RRP is inclusive of VAT and CO₂ emissions tax. Above pricing applicable to vehicles built in or after September 2019.

A3|S3 Sportback



Paint|A3 Sportback

			30 TFSI	35 TFSI	40 TFSI
A2A2		Brilliant Black, solid	R 0	R 0	R 0
T9T9		Ibis White, solid	R 0	R 0	R 0
B9B9		Cosmos Blue, metallic	R 2,570	R 2,570	R 2,570
L5L5		Florett Silver, metallic	R 2,570	R 2,570	R 2,570
2Y2Y		Glacier White, metallic	R 2,570	R 2,570	R 2,570
0C0C		Monsoon Grey, metallic	R 2,570	R 2,570	R 2,570
0E0E		Mythos Black, metallic	R 2,570	R 2,570	R 2,570
G3G3		Nano Grey, metallic	R 2,570	R 2,570	R 2,570
Y1Y1		Tango Red, metallic	R 2,570	R 2,570	R 2,570
K6K6		Ara Blue, crystal	R 14,720	R 14,720	R 14,720
Q0Q0		Audi exclusive paint finish*	R 36,030	R 36,030	R 36,030

Options are subject to availability and may extend time taken for delivery.










All the colour swatches on this page are matched as accurately as possible to the actual paint colours used. Audi South Africa cannot guarantee that colours shown are 100% accurate. Visit your local Audi Centre for a more accurate colour swatch.

*Audi exclusive paint is subject to factory approval. Visit your local Audi Centre for colour samples.



Paint|S3 Sportback

S3 TFSI

A2A2		Brilliant Black, solid	R 0
T9T9		Ibis White, solid	R 0
2D2D		Navarra Blue, metallic	R 2,570
L5L5		Florett Silver, metallic	R 2,570
2Y2Y		Glacier White, metallic	R 2,570
0C0C		Monsoon Grey, metallic	R 2,570
0E0E		Mythos Black, metallic	R 2,570
G3G3		Nano Grey, metallic	R 2,570
Y1Y1		Tango Red, metallic	R 2,570
K6K6		Ara Blue, crystal	R 14,720
Q0Q0		Audi exclusive paint finish*	R 36,030

Options are subject to availability and may extend time taken for delivery.








All the colour swatches on this page are matched as accurately as possible to the actual paint colours used. Audi South Africa cannot guarantee that colours shown are 100% accurate. Visit your local Audi Centre for a more accurate colour swatch.

*Audi exclusive paint is subject to factory approval. Visit your local Audi Centre for colour samples.

A3|S3 Sportback



Wheels & tyres|A3/S3 Sportback

		30 TFSI	35 TFSI	40 TFSI	S3 TFSI
U44	 Alloy wheels, 5-twin-spoke design, size 7.5J x 17, with 225/45 R17 tyres	No cost	No cost	No cost	---
C6I	 Audi Sport alloy wheels, 10-V-spoke design, size 7.5J x 18, with 225/40 R18 tyres	R 9,079	R 9,079	R 9,079	No cost
F38	 Audi Sport cast alum. alloy wheels, 10-spoke design, matt titanium, with 7.5J x 18, 225/40 R 18 tyres (standard for A3 Black Edition)	R 9,079	R 9,079	R 9,079	No cost
V82	 Audi Sport cast alloy wheels, 5-arm trapezoidal style, Black, with 7.5J x 18 with 225/40 R18 tyres	R 19,700	R 19,700	R 19,700	R 11,900
C7D	 Audi Sport cast alum. alloy wheels, 5-arm wing design, gloss titanium, with size 8J x 19, with 235/35 R19 tyres	---	---	---	R 13,618
49L	 Audi Sport cast alloy wheels, 10-Y- spoke style, Glossy Black, with 8J x 19 with 235/35 R19 tyres	---	---	---	R 19,500
C8J	 Cast aluminium wheels, 5-arm rotor design, matt titanium look, gloss finish, 8J x 19, 235/35 R19 tyres	---	---	---	R 19,500
1G9	Space-saving spare wheel 18"	No cost	No cost	No cost	S
7K9	Indirect tire pressure monitoring system	R 1,020	R 1,020	R 1,020	S
7K3	Tyre pressure monitoring system	---	---	---	---

Standard

Please note: Wheels are not able to be changed for Black Edition models.



Std|A3



Std|A3
Black Edition



Std|S3

--- = Not Available S = Standard



Optional equipment | A3/S3 Sportback

Equipment packages:		30 TFSI	35 TFSI	40 TFSI	S3 TFSI
4ZD	Audi exclusive titanium black styling package Adds sporty black highlights to the exterior, including the radiator grille, window trims and rear diffuser insert. (standard for A3 Black Edition)	R 7,390	R 7,390	R 7,390	R 7,390
PQD	S line exterior package S line design body styling features a more aggressive and sporty styling for your Audi which includes: S line front and rear bumpers and side skirts, S line radiator grille and rear diffuser insert S line badges on the front wings. (standard for A3 Black Edition)	R 21,180	R 21,180	R 21,180	---
PER	Audi design selection express red Inject personality and style in your S3 with Audi Design selection upholstery featuring Fine Nappa Leather with red accents. Features a two-tone appearance with Express Red seat centre panels in Fine Nappa Leather and seat side bolsters, head restraints and front centre armrest in black. Also features contrast stitching in Express Red.	---	---	---	R 19,910
Light:					
8X1	Headlight washers	R 3,770	R 3,770	R 3,770	S
8G1	High-beam control Detects the headlights of oncoming traffic, the rear lights of other road users and light sources in built up areas. Depending on the traffic situation, the high beam automatically adjusts to dipped beam and vice versa. The system improves the driver's visibility and brings added comfort and convenience.	R 1,990	R 1,990	R 1,990	R 1,990
PX2	LED headlights LED headlights with LED rear lights and dynamic indicators in the rear only. (standard for A3 Black Edition)	R 15,310	R 15,310	R 15,310	S
PXC	Matrix LED headlights Includes Matrix LED headlights with LED rear lights and dynamic front and rear indicators. Audi Matrix LED technology provides precise illumination of the road whilst reducing the risk of dazzling other road users. Using information from the vehicle's sensors, camera and MMI Navigation (if equipped), Matrix LED calculates the appropriate lighting required and automatically dips or turns off individual lighting diodes, creating corridors of lights either side of the vehicle or the object in front of it. It includes dynamic front and rear indicators which swipe from inside to out.	R 23,830	R 23,830	R 23,830	R 8,210



Optional equipment|A3/S3 Sportback

Mirrors:		30 TFSI	35 TFSI	40 TFSI	S3 TFSI
6XE	Door mirrors (power adjustable, heated and folding) Electrically folding, adjustable and heated with integrated LED side indicators and curb-view function for passenger side. *Standard equipment for vehicles built in or after September 2019.	S*	S*	S*	S*
6FA	Exterior mirror housings painted in body colour	---	---	---	No cost
6FJ	Audi exclusive exterior mirror housings in gloss black (standard for A3 Black Edition)	R 1,590	R 1,590	R 1,590	R 1,590
PU7	Interior mirror with automatic anti-glare action	R 1,540	R 1,540	R 1,540	S
Roof/locking systems:					
3FB	Panoramic glass roof The panoramic glass sunroof comprises a single tinted glass section which tilts and opens electrically. Includes a manual adjustable sunshield and convenience closing via the central locking remote control. The integrated wind deflector reduces wind noise when the roof is open.	R 11,760	R 11,760	R 11,760	R 11,760
3S1	Roof rails, aluminium	R 3,920	R 3,920	R 3,920	R 3,920
3S2	Roof rails, black	R 3,920	R 3,920	R 3,920	R 3,920
PG3	Convenience key in conjunction with anti-theft alarm Allows the driver to keep their key in their pocket or bag at all times. To unlock and open, simply lift the exterior door handle. Pressing the start/stop button integrated in the centre console, switches the engine on and off.	R 8,900	R 8,900	R 8,900	R 8,900
Other exterior equipment:					
1M5	Provision for towing bracket	R 2,370	R 2,370	R 2,370	---
1M6	Trailer hitch mechanically swiveling and power-detachable Mechanically swiveling ball head with electric release. Operated via a button in the luggage compartment.	R 9,000	R 9,000	R 9,000	---
5J2	S line roof spoiler	R 3,770	R 3,770	R 3,770	S



Optional equipment|A3/S3 Sportback

<u>Seats:</u>		30 TFSI	35 TFSI	40 TFSI	S3 TFSI
PS1	Front sports seats Front Sport seats not only have a Sport design but also offer a firmer and more supported driving style with an extendable thigh support and prominent side bolsters which improve lateral support. Seat functionality includes manual adjustment for seat height, seat forwards/backwards position, backrest angle, head restraint and seat belt height.	R 5,830	R 5,830	R 5,830	S
PS6	S sports seats at front Unique to S3, these seats come with integrated head restraints, diamond stitching in the shoulder area and 'S' embossing on the front seat backs. It's the ultimate seat upgrade, offering enhanced styling and comfort, extendable thigh support and prominent side bolsters. Seat functionality includes manual adjustment for seat height, seat forwards/backwards position, backrest angle, head restraint and seat belt height, plus added functionality of electric 4-way lumbar support. Only in combination with Fine Nappa Leather (N6L) or Audi design selection Express Red (PER).	---	---	---	R 9,530
3L5	Front seats, electrically adjustable Electric adjustment for seat height, seat forwards backwards position, seat angle and backrest angle. Only in combination with 4-way electric lumbar support (7P1).	R 11,870	R 11,870	R 11,870	R 11,870
7P1	4-way lumbar support for the front seats Allows for horizontal and vertical adjustment to further increase seat comfort.	R 3,100	R 3,100	R 3,100	R 3,100
4A3	Seat heating for front seats	R 4,770	R 4,770	R 4,770	R 4,770
3NT	Rear seat bench unsplit, backrest split folding (three pieces) with center armrest With through-load facility for safely transporting long objects. Can be split in 3 parts (40:20:40). Includes rear centre armrest with cupholders and a storage compartment.	R 3,710	R 3,710	R 3,710	R 3,710



Optional equipment | A3/S3 Sportback

Seat upholstery, inlays & headlining:		30 TFSI	35 TFSI	40 TFSI	S3 TFSI
N4M	Leather/leatherette combination trim Durable combination seat covers in leatherette and leather. <small>(standard for A3 Black Edition)</small>	R 12,710	R 12,710	R 12,710	---
N7U	Alcantara/leather combination trim The addition of Alcantara upholstery with leather enhances the styling on your seats, offers additional grip for sportier driving and at the same time provides added comfort across the seasons. Seat centre, two outer rear seats and door inserts in Alcantara. Seat side bolsters, head restraints, middle rear seat in leather. Front centre armrest in leatherette.	R 12,710	R 12,710	R 12,710	---
N5W	Milano leather trim High-quality and long-lasting leather with fine grained appearance. Milano leather covers the entire seat including head restraints. Door trim inserts and front centre armrest are in leatherette.	R 18,540	R 18,540	R 18,540	---
N6L	Fine Nappa leather Fine Nappa leather is a high-quality supple leather which is breathable, durable and features a natural fine grain. Seat upholstery, head restraints and front centre armrest are in Fine Nappa leather with contrast stitching. Door trim inserts in leatherette.	---	---	---	R 19,810
N5X	Frequency Alcantara/leather combination Alcantara with an embossed pattern and contrast stitching enhances the styling on your seats, offers additional grip for sportier driving and at the same time provides added comfort across the seasons. Seat centre, two outer rear seats and door inserts in Alcantara. Seat side bolsters, head restraint centre panel and middle rear seat in leather with contrast stitching. Front centre armrest, door armrest and centre console in leatherette with contrast stitching.	---	---	---	R 11,390
7HE	Interior elements in leatherette Front knee pads and door armrest finished in leatherette, matching the interior colour trim chosen.	R 4,240	R 4,240	R 4,240	R 4,240
5TV	Inlays in matt brushed aluminium, design light	---	---	---	R 2,950
6NQ	Headlining in black cloth <small>(standard for A3 Black Edition)</small>	R 3,470	R 3,470	R 3,470	---



Optional equipment | A3/S3 Sportback

Other interior equipment:		30 TFSI	35 TFSI	40 TFSI	S3 TFSI
1XX	Leather-covered multifunction sports steering wheel, 3-spoke, with shift paddles	R 1,790	R 1,790	R 1,790	---
9AK	Deluxe automatic air conditioning Separate controls to set exact temperatures for the driver and front passenger. Electronically regulates the air temperature, air flow rate and air distribution. Automatic recirculation mode using an air quality sensor, combined filter, rear vents and humidity regulation for more efficient climate control. <small>*Standard equipment for vehicles built in or after September 2019.</small>	R 8,470/S*	R 8,470/S*	R 8,470/S*	S
QE1	Storage compartment and luggage compartment package <ul style="list-style-type: none"> ▶ Storage nets on the back of the front seat backrests, storage net in the front passenger footwell, storage compartment under the rear seat, 12V socket in the rear console. ▶ Additional items in the luggage compartment includes: bag hook, net in the side compartment, luggage securing net, 12V socket and LED luggage compartment light. <small>(standard for A3 Black Edition)</small>	R 2,670	R 2,670	R 2,670	S
QJ1	Aluminium look in interior Aluminium finish in the following areas: air vents, electric window switches, glove compartment release, wing mirror adjustment switches, frame around inside door handle, control button for the parking brake and hold assist.	R 1,040	R 1,040	R 1,040	S
9JH	Mobile phone / key holder, ashtray at front and cigarette lighter	R 810	R 810	R 810	R 810



Optional equipment|A3/S3 Sportback

MMI and navigation systems:		30 TFSI	35 TFSI	40 TFSI	S3 TFSI
9S8+PNQ	<p>Audi virtual cockpit including MMI Navigation Plus with MMI touch® Innovative 12.3" full colour digital instrument cluster for the flexible display of information tailored to the driver's needs. The 'view' button on the multifunction steering wheel allows you to change between two differently sized representation of the instrument dials. The MMI Navigation plus with MMI touch has a sensitive control panel for fast, intuitive operation, handwriting recognition and the ability to move and zoom freely on the map</p> <ul style="list-style-type: none"> ▶ Integrated navigation with 3D map display of places of interest with terrain and city models ▶ Detailed route information, map preview, choice of alternatives, point of interest search ▶ MMI search: free text search with intelligent suggestions provided during entry ▶ Natural voice recognition ▶ Jukebox hard drive memory for music (10GB) ▶ DVD drive for music CDs and video DVDs ▶ 2x SDXC card readers ▶ USB interface for charging <p>Limited Audi Connect features are also available which includes:</p> <ul style="list-style-type: none"> ▶ Wifi Hotspot (using an external sim card, to be purchased separately) ▶ Google earth ▶ Point of interest search 	R 31,470	R 31,470	R 31,470	R 31,470
PNU	<p>MMI navigation</p> <ul style="list-style-type: none"> ▶ Integrated navigation with 3D maps (lower version) ▶ High resolution 7" colour display ▶ Easy operation of infotainment via voice command ▶ Detailed route information, map preview, choice of alternatives, point of interest search ▶ USB interface for charging ▶ Natural voice recognition <p>Limited Audi Connect features are also available which includes:</p> <ul style="list-style-type: none"> ▶ Wifi Hotspot (using an external sim card, to be purchased separately) ▶ Google earth ▶ Point of interest search 	R 15,590	R 15,590	R 15,590	R 15,590
9S6	Driver information system with colour display	R 2,160	R 2,160	R 2,160	S



Optional equipment|A3/S3 Sportback

<u>Radio/telephone systems:</u>		30 TFSI	35 TFSI	40 TFSI	S3 TFSI
UE7	Audi music interface A second USB port built into the vehicle to allow you to connect a USB cable connecting your phone to the USB port. Allows for charging and music streaming. *Standard equipment for vehicles built in or after September 2019.	R 3,040/S*	R 3,040/S*	R 3,040/S*	R 3,040/S*
UI2	Audi smartphone interface (Requires PNQ or PNU at additional cost) Connects your smartphone with your A3/S3, bringing your mobile content via USB directly into the MMI display. Navigation, telephone, music and selected third party apps can be easily controlled via the MMI controller and via voice control system.	R 5,060	R 5,060	R 5,060	R 5,060
9VD	Audi sound system Impressive sound with 10 loudspeakers including centre speaker in the dashboard, a subwoofer in the spare wheel well and a 6-channel amplifier with a total output of 180 watts. *Standard equipment for vehicles built in or after September 2019.	R 3,700/S*	R 3,700/S*	R 3,700/S*	S
9VS	Bang & Olufsen Sound System Surround sound produced via 14 high performance speakers including a centre speaker in the dashboard and subwoofer in the spare wheel well. 15-channel amplifier with a total output of 705 watts. Exclusive speaker covers with aluminium applications and LED lighting accentuating the front woofers.	R 9,560	R 9,560	R 9,560	R 9,560
9ZE	Audi phone box (forces GB1 at no additional cost) Offers wireless charging with Qi enabled compatible phones and creates an additional Bluetooth interface for a second device which means two mobile phones can be connected to the vehicle simultaneously.	R 5,430	R 5,430	R 5,430	R 5,430
GB1	LTE support for Audi phone box	No cost	No cost	No cost	No cost



Optional equipment | A3/S3 Sportback

<u>Assistance systems:</u>		30 TFSI	35 TFSI	40 TFSI	S3 TFSI
PCG	<p>Adaptive cruise control (Stop&Go) including Pre-sense front Uses radar sensors to maintain the required distance between your vehicle and the vehicle ahead by automatically braking and accelerating. On S tronic models it includes Stop&Go function which brakes the car to a stop and can restart automatically again. The Pre-sense front system uses the radar sensors to detect vehicles in front. If an imminent collision is detected, the system warns the driver. The system may initiate emergency braking application and can also increase braking initiated by the driver (if this is inadequate) in order to reduce the severity of the collision, or if possible prevent the accident.</p>	R 15,900	R 15,900	R 15,900	R 15,900
7Y1	<p>Audi side assist incl. cross traffic assist Aids the driver when changing lanes. Audi side assist monitors the area behind your car using radar sensors located discreetly in the rear bumper. It then informs the driver with a visual warning signal in the door mirror if there is a vehicle in the blind spot or approaching quickly from behind. Cross traffic rear is also included – this warns the driver of traffic passing behind their vehicle at the point when the driver starts to reverse without having a clear view of the situation in the rear. The system alerts the driver visually, and then acoustically via the MMI. If the driver still proceeds without caution, the vehicle will automatically apply a brake jolt to warn the driver of danger.</p>	R 7,660	R 7,660	R 7,660	R 7,660
PCE	<p>Assistance package including Adaptive cruise control, active lane assist and parking system plus A combination of various assistance and parking systems, this package brings together the driver assistance systems that support long-distance driving, especially when driving in congestion and varying average speed limit zones.</p>	R 20,780	R 20,780	R 20,780	R 20,780



Optional equipment | A3/S3 Sportback

<u>Parking systems:</u>		30 TFSI	35 TFSI	40 TFSI	S3 TFSI
7X1	Rear parking aid Acoustic and visual parking system for the rear, with MMI screen display showing graphic representation of the distance to any obstacle detected outside and within the driving path. *Standard equipment for vehicles built in or after September 2019	R 5,610/S*	R 5,610/S*	R 5,610/S*	---
7X2	Parking system plus Acoustic and visual park assist system for the front and rear with the MMI screen display showing a graphic representation of the distance to any obstacles detected outside and within the driving path. Measure measurement is by ultrasonic sensors concealed in the bumpers. *Standard equipment for vehicles built in or after September 2019	R 8,830	R 8,830	R 8,830	R 8,830/S*
7X5	Park assist Searches for suitable parking spaces along the road by means of ultrasonic sensors. The system then calculates the ideal path and performs the steering action virtually automatically. The system can support the driver with: <ul style="list-style-type: none"> ▸ Parallel parking in reverse ▸ Exiting a parallel parking space, driving forwards ▸ Bay parking, both reverse and forwards Steering is done by the vehicle, the driver is responsible for acceleration and braking.	R 6,750	R 6,750	R 6,750	R 6,750
KA2	Rearview camera An image of the area behind the vehicle is shown in the MMI display with dynamic display modes highlighting the calculated path or steering angle.	R 6,680	R 6,680	R 6,680	R 6,680



Optional equipment | A3/S3 Sportback

Suspension/brakes:		30 TFSI	35 TFSI	40 TFSI	S3 TFSI
2H6	Audi drive select® Standard on all A3 models, Audi Drive Select changes your car's handling and response at the touch of a button to suit the way you want to drive. Enables the driver to alter the throttle response, gearshift characteristics (S tronic only) and steering feel between four pre-set modes: <ul style="list-style-type: none"> ▶ Comfort ▶ Auto ▶ Dynamic ▶ Individual ▶ Efficiency mode is an additional mode which sets the engine, transmission =, air conditioning and cruise control systems to a more fuel-efficient basic setting. (Efficiency not available on 30 TFSI). 	S	S	S	S
2UC	Sports suspension Lowered by 15mm compared to the standard suspension, with stiffer suspension and damping for more direct contact with the road and sportier handling.	R 3,230	R 3,230	R 3,230	S
2UG	S line sports suspension More dynamic spring/damper setting. The vehicle will be lowered by 10mm more than sports suspension or by 25mm compared to the standard suspension.	R 13,030	R 13,030	R 13,030	---
2H7	Audi magnetic ride Adaptive damper system with 3 suspension settings (Comfort, Dynamic and Auto) controlled via Audi Drive Select. Sensors in the car monitor the road conditions and adjust the damping effect by varying a magnetic charge which passes through a fluid based shock absorber. This ensures improved road handling and stability, as well as enhanced agility and excellent driving comfort.	---	---	---	R 14,450



Important information

Welcome to Audi

Audi Freeway Plan | Motoring Peace of Mind

There can be no better motoring peace of mind than knowing that your car will be serviced, maintained and repaired, should this prove necessary, at no cost to you. Thanks to Audi Freeway Plan, that peace of mind could be yours.

The Audi Freeway Plan absorbs all maintenance and service costs, with the exception of between-service top-up fluids, fuel, cracked or broken glass, and tyres.

A five-year or 100 000 km Audi Freeway Plan is included as standard on all new Audi vehicles.

Top-up options to extend maintenance up to 10 years, or 300 000 km are available at extremely competitive rates. Audi has specially designed the Audi Freeway Plan for easy operation on the part of the owner. Making an appointment with any one of our approved Audi Servicing Dealers can effect regular servicing and maintenance as well as repairs (with the exception of accident damage).

All work is handled by the relevant service department, which will liaise directly with the Audi Freeway Plan Maintenance Unit. No extra effort or payment is required from the Audi owner. The Audi Freeway Plan is registered with the vehicle and as such is transferable to the new owner should the car be sold before the Audi Freeway Plan has expired, giving added resale value. The Audi Freeway Plan is available in addition to the Audi's standard one-year/unlimited distance vehicle warranty. The Audi Freeway Plan is subject to certain exclusions, covers any repairs necessary after the expiry of the standard warranty.

Audi Assist | Emergency and Personal Assistance

Audi Assist is a programme whereby Audi of South Africa and its Dealer Network pledge to provide you with peace of mind motoring by providing the infrastructure to support a countrywide emergency service 24 hours a day, every day.

The programme is known as Audi Assist and operates within the borders of South Africa as well as Namibia and Botswana. The objective of the programme is to ensure on the spot roadside assistance offered by a fully equipped and trained Audi technician.

The primary focus is to get you mobile in your own vehicle. Where a roadside repair cannot be effected and the vehicle needs to be towed to the nearest Audi dealer, you and the occupants of the vehicle will be transported to a place of safety in the dealer's roadside assistance vehicle.

Contact details within South Africa:

086 043 4838

Contact details for neighbouring states:

+27 41 994 5616

24 hours a day, 7 days a week

Vehicle model and VIN number will be required.

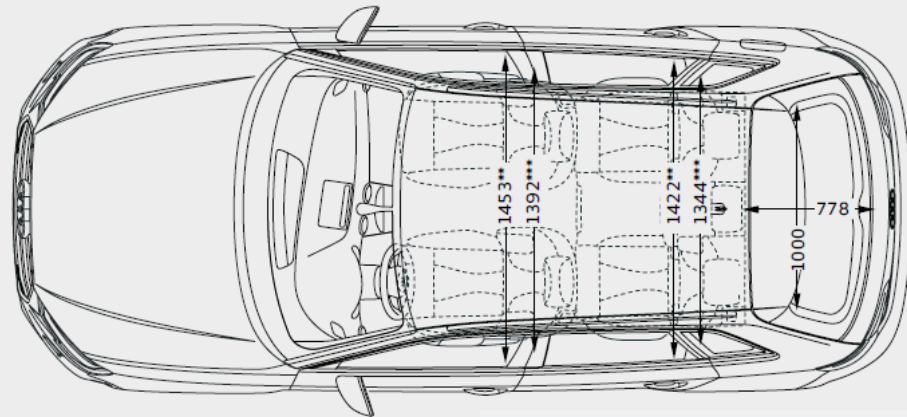
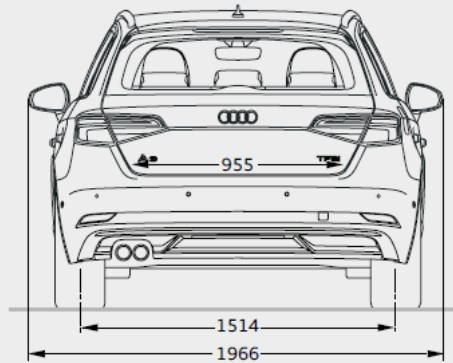
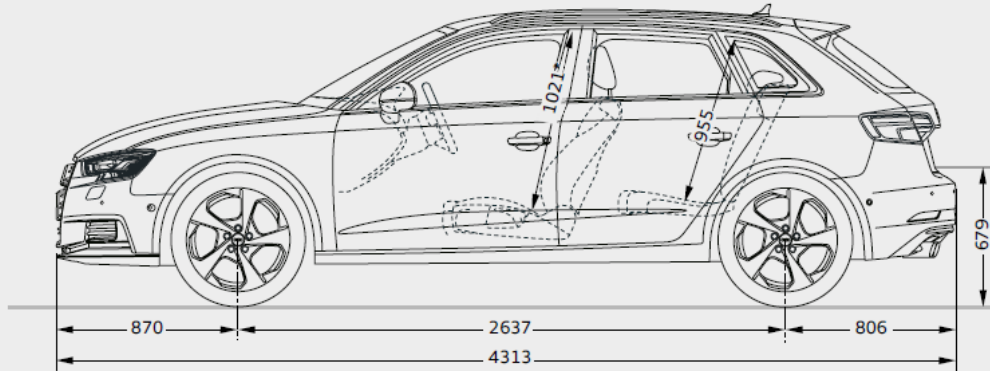
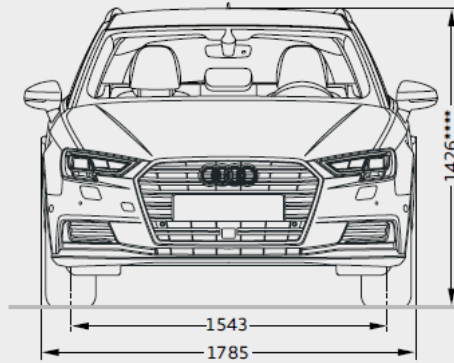
A3 | S3 Sportback



A3 Sportback dimensions

All the measurements you need

See the exact dimensions of the Audi A3 Sportback, so you can check everything – from whether the car fits your garage to whether your luggage fits the boot.



Dimensions in millimetres. *Maximum headroom. **Elbow room width. ***Shoulder room width. ****With the roof aerial included the height of the vehicle increases by 35mm to 1,461mm. Dimensions were measured with vehicle at unladen weight. *Measured by the VDA standard test method using 200 x 100 x 50mm blocks. Turning circle approx. 10.9m.

All other A3 Sportback models luggage compartment capacity:†
380l (rear seats up) or 1220l (rear seats folded down).

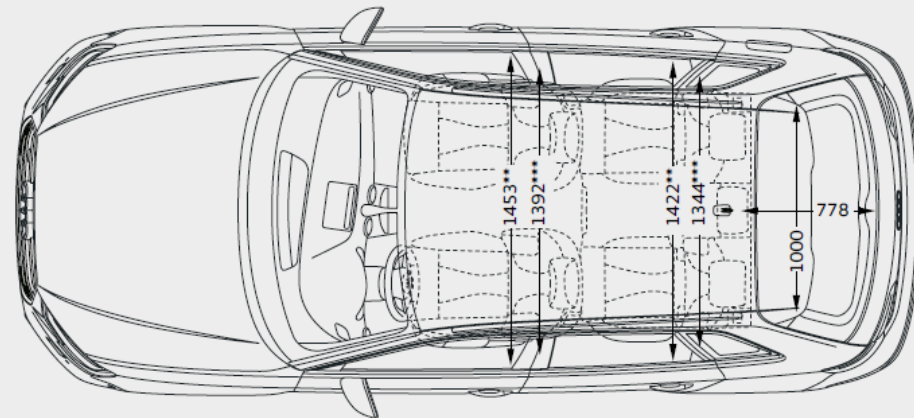
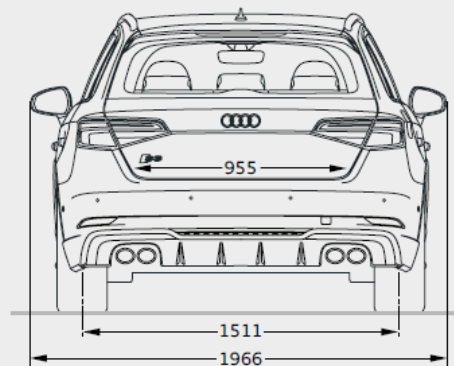
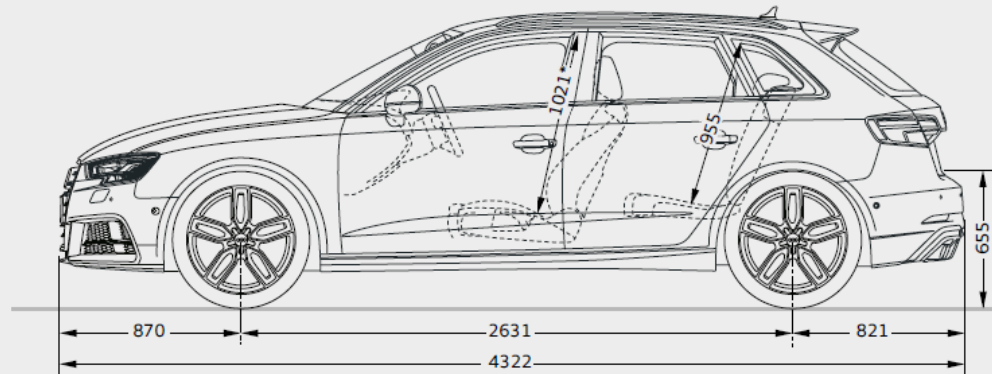
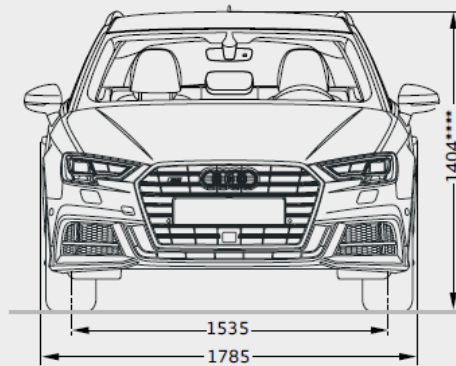
A3|S3 Sportback



S3 Sportback dimensions

All the measurements you need

See the exact dimensions of the Audi S3 Sportback, so you can check everything – from whether the car fits your garage to whether your luggage fits the boot.



Dimensions in millimetres. *Maximum headroom. **Elbow room width. ***Shoulder room width. ****With the roof aerial included the height of the vehicle increases by 33mm to 1,437mm. Dimensions were measured with vehicle at unladen weight. *Measured by the VDA standard test method using 200 x 100 x 50mm blocks. Turning circle approx. 10.9m.

S3 Sportback luggage compartment capacity:[†]
340l (rear seats up) or 1180l (rear seats folded down).

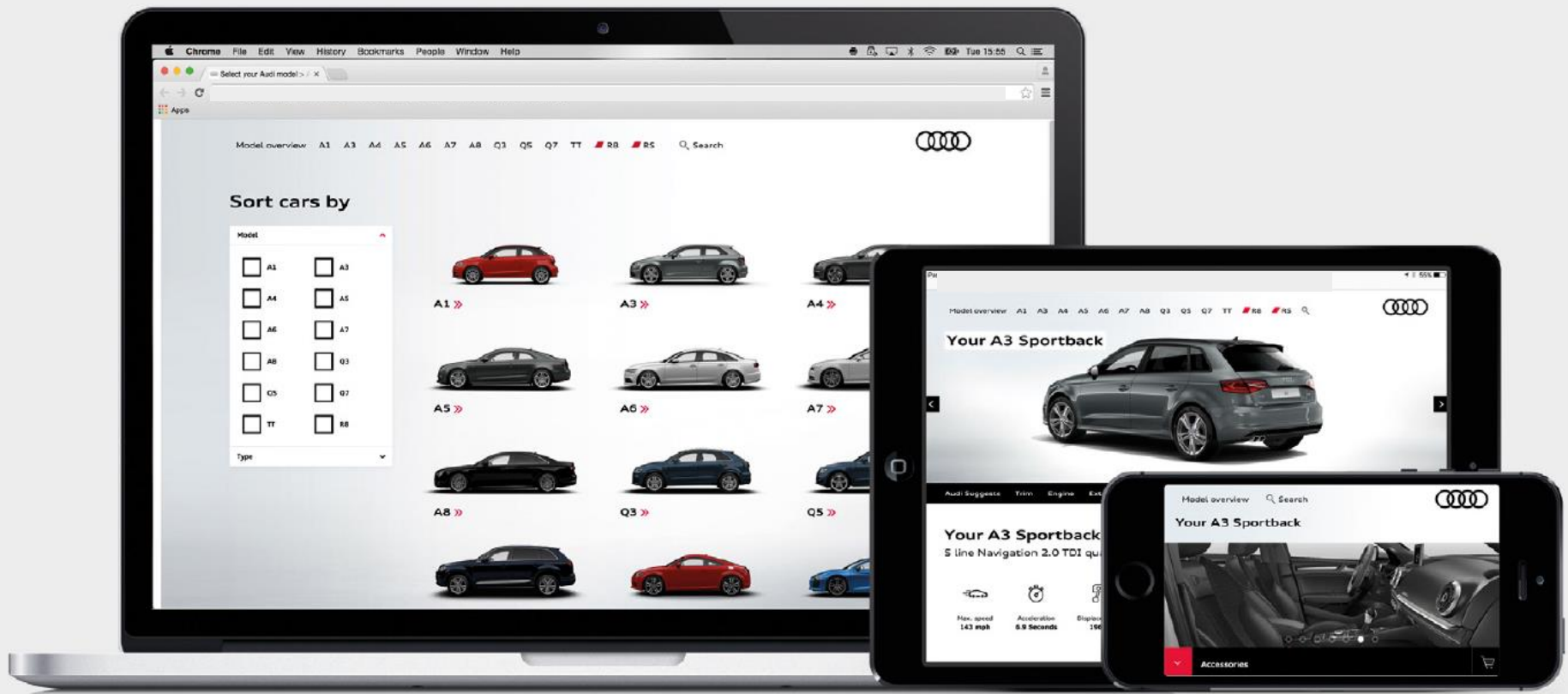
A3|S3 Sportback



Audi configurator

The easy way to build your Audi

Our online configurator makes it easy to create and price your ideal Audi by simply choosing your favourite options.



www.audi.co.za

A3 | S3 Sportback



Information in this pricelist

We've done all we can to make the prices, specifications, technical details and all other information you see in this pricelist accurate at the time of publication. However, as our products are constantly being updated, we recommend checking the details with your Audi Dealer. We reserve the right to change prices or specification at any time. All prices shown in this guide include VAT which is currently charged at 15%. Recommended retail pricing not binding.