

 **RS 4**

The Audi RS 4 Avant

The high performance of a sports car and the functionality of a family vehicle that unites the Audi RS 4 Avant. Its unconventional design and the uncompromising silhouette make it clear, sportiness is the order of the day.

This pricelist will make it easy for you to build your RS 4, taking you through all the option choices. The online configurator is also available to build your dream car.





Engine and pricing

Engine	Capacity	Fuel type	Transmission	Power output (kW)	Torque (Nm)	Fuel consumption (l/100 km)			CO ₂ emissions (g/km)	0 – 100 km/h (sec)	Top speed (km/h)	RRP*
						Urban	Extra urban	Combined				
RS 4 Avant quattro	2 894	Petrol	tiptronic	331	600	12.9	7.6	9,5	218	4.1	250	R 1,547,100

Fuel consumption and CO₂ data applies to the German Market. The specified values are determined in accordance with certain test procedures. The specifications do not refer to an individual vehicle but serve only as a basis for comparing the different types of vehicles. In addition, the consumption figures achieved during normal driving may differ from the test values, depending in particular on special equipment fitted, vehicle loading, personal driving style, road and traffic conditions, environmental factors and conditions of the car.

* RRP is inclusive of VAT, CO₂ emissions tax and an optional 5 year/100,000km Audi Freeway Plan



Standard Equipment

Wheels:

- ▶ 20-inch Alloy wheels in 5-arm flag style, Glossy Anthracite Black, diam.-turned, with 275/30 R20 tyres
- ▶ Anti-theft wheel bolts
- ▶ Space-saving spare wheel
- ▶ Tyre pressure monitoring system

Performance & suspension:

- ▶ Audi Drive Select
- ▶ Cruise control with speed limiter
- ▶ Electromechanical power steering
- ▶ Hill hold assist
- ▶ quattro with self-locking center differential
- ▶ RS sports suspension
- ▶ RS sports exhaust system
- ▶ Speed limiter
- ▶ Start/stop system

Lighting:

- ▶ LED headlamps
- ▶ LED rear combination lamps with dynamic indicators
- ▶ Contour ambient lighting plus
- ▶ Headlamp washer system
- ▶ Separate daytime running lights

Exterior Equipment:

- ▶ Black styling package*
- ▶ Exterior mirror housings in black*

- ▶ Exterior mirrors, power-adjustable and heated
- ▶ Luggage compartment lid, electrically opening/closing
- ▶ Roof rails in black*
- ▶ Parking aid front and rear
- ▶ RS bumpers
- ▶ RS steel brakes with red brake calipers

Audio & Communications:

- ▶ Audi connect Car2X services

(Includes safety and service features in the event of damage, breakdown or minor accidents. Enables an emergency call or roadside assistance directly from module located in the roof of the vehicle in order to access emergency services support. Also includes security and convenience services such as remote functions (model-dependent) that network the vehicle with a smartphone through the myAudi app. Features include car finder, remote lock/unlock, geo-fencing, speed alert and theft/alarm notification. Services only supported in South Africa.)

- ▶ Audi connect infotainment services

(Includes live and integrated navigation with satellite map, traffic information, points of interests and weather updates. Applicable to MY21 vehicles onwards. Services only supported in South Africa.)

- ▶ Audi smartphone interface
- ▶ Audi virtual cockpit plus with additional RS layout
- ▶ Bang & Olufsen Premium Sound System with 3D sound
- ▶ Bluetooth interface
- ▶ MMI Navigation plus with MMI touch



Standard Equipment

Interior Equipment:

- ▶ 3-zone climate control system
- ▶ Anti-theft alarm system
- ▶ Auto-dimming interior rearview mirror, frameless
- ▶ Comfort center armrest in front
- ▶ Confort key with SAFELock
- ▶ Dashboard accent surfaces painted in glossy black
- ▶ Decorative inserts in Aluminium Race
- ▶ Driver and front passenger airbag with front passenger airbag deactivation
- ▶ Electric front seats
- ▶ Fine Nappa leather package in honeycomb stitching
- ▶ First aid kit with warning triangle and safety vests
- ▶ Floor mats in front and rear
- ▶ Head restraints in front
- ▶ Headliner in black fabric
- ▶ ISOFIX child seat anchors and top tether for outer rear seats
- ▶ ISOFIX child seat anchors for front passenger seat
- ▶ Interior elements in leatherette
- ▶ Leather-wrapped steering wheel, 3-spoke, with multi-function Plus and steering wheel heating
- ▶ Luggage compartment floor mat
- ▶ Non-smoker package
- ▶ Pedals and foot rest in stainless steel
- ▶ Pneumatically adjustable lumbar support with massage feature for the front seats
- ▶ RS Scuff plates
- ▶ Side airbags in front and curtain airbag system
- ▶ Split-folding rear seat backrest

- ▶ Sport seats Plus in front
- ▶ Sun visor on driver and front passenger side
- ▶ Tool kit and jack

Assistance systems:

- ▶ Audi pre sense rear and basic
- ▶ Lane change assistant
- ▶ Rear view camera system



Packages

RS Styling Package (PEF)

Contains the following equipment:

- Control elements in black Alcantara with contrasting stitching in crescendo red
- Armrests in the doors in black Fine Nappa leather with contrasting stitching in crescendo red
- Side centre console in black Alcantara with contrasting stitching in crescendo red
- Seat belts at the front and outer rear seats in black with a red border
- Floor mats in black with contrasting stitching in crescendo red and RS lettering on the front

Available with: Flat bottom steering wheel at no additional cost

Carbon/Glossy Black Package (PA7)

Contains the following equipment:

- Front blade, side flaps, inserts for sill extensions and rear diffuser in carbon
- Trim strips on the side windows and rear diffuser insert in glossy black
- Roof rails in black

Available with: Audi Rings and nameplates in black (4ZP) at additional cost

City Assistance Package (PCZ)

Contains the following equipment:

- 360-degree camera
- Park assist

Forces: Exterior mirrors with memory (6XL) at additional cost

Assistance Package (PCE)

Contains the following equipment:

- Adaptive cruise control with traffic jam assist
- Audi active lane assist



Paint			RS 4 Avant
B1B1		Progressive red	No cost
T3T3		Nardo Grey, solid	No cost
2Y2Y		Glacier White, metallic	No cost
0E0E		Myth Black, metallic	No cost
2D2D		Navarra Blue, metallic	No cost
6Y6Y		Daytona Grey, pearlescent	R 13,900
R5R5		Sebring Black, Chrystal	R 50,000
9W9W		Ascari Blue Metallic	No cost
Q0Q0		Audi exclusive paint finish*	R 50,000

Options are subject to availability and may extend time taken for delivery. All the colour swatches on this page are matched as accurately as possible to the actual paint colours used. Audi South Africa cannot guarantee that colours shown are 100% accurate. Visit your local Audi Centre for a more accurate colour swatch.

*Audi exclusive paint is subject to factory approval. Visit your local Audi Centre for colour samples.



Wheels & tyres

Wheels & tyres		RS 4 Avant
46B	Cast alloy wheels, 5-segment-spoke Evo style, Glossy Black, 9J x 20 with 275/30 R20 tyres	No cost
46A	Cast alloy wheels, 5-segment-spoke Evo style, Matte Titanium Look, diamond- turned, 9J x 20 with 275/30 R20 tyres	No cost

20"



Standard



46A



46B



U22

Only in combination
with RS competition
plus package



Optional equipment

Equipment packages:

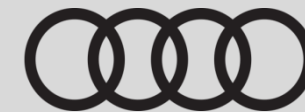
RS 4 Avant

		RS 4 Avant
PEF	<p>RS styling package, red Control elements in black Alcantara with contrasting stitching in crescendo red Armrests in the doors in black Fine Nappa leather with contrasting stitching in crescendo red Side centre console in black Alcantara with contrasting stitching in crescendo red Seat belts at the front and outer rear seats in black with a red border Floor mats in black with contrasting stitching in crescendo red and RS lettering on the front</p>	R 35,200
PA5	<p>RS Competition plus</p> <ul style="list-style-type: none"> · 20-inch alloy wheels, 5-Y-spoke, phantom black or phantom black with gloss milled finish · RS sport exhaust system plus with matt black tailpipes · Top speed increased to 290 km/h · Black styling package plus with Audi rings and RS 5 logos in gloss black · Matrix LED headlights with Audi laser light as well as dynamic light sequencing and dynamic indicator, with RS-specific darkened trims · LED rear lights with dynamic light sequencing and dynamic indicator · RS competition projection light · Seat upholstery in Dinamica³ microfibre/leather combination with honeycomb pattern and RS embroidery, optionally seat side trims in black (at additional cost) · quattro with sport differential · RS sport suspension pro <p>Forces Dynamic Steering, RS Styling package in Red and Direct tyre pressure monitoring system at an additional cost</p>	R130,000
PA1	<p>RS competition plus with RS racing shell seats in front</p> <ul style="list-style-type: none"> · 20-inch alloy wheels, 5-Y-spoke, phantom black or phantom black with gloss milled finish · RS sport exhaust system plus with matt black tailpipes · Top speed increased to 290 km/h · Black styling package plus with Audi rings and RS 5 logos in gloss black · Matrix LED headlights with Audi laser light as well as dynamic light sequencing and dynamic indicator, with RS-specific darkened trims · LED rear lights with dynamic light sequencing and dynamic indicator · RS competition projection light · Front seats, manually adjusted · Manual child safety lock · Without child seat isofix in front · Seat upholstery in Dinamica³ microfibre/leather combination with honeycomb pattern and RS embroidery · quattro with sport differential · RS sport suspension pro <p>Forces Dynamic Steering, Seat heaters in front and Direct tyre pressure monitoring system at an additional cost</p>	R125,000



Optional equipment

Equipment packages:		RS 4 Avant
PA7	Appearance package in Carbon/Glossy Black Front blade, side flaps, inserts for sill extensions and rear diffuser in carbon Trim strips on the side windows and rear diffuser insert in glossy black Roof rails in black	R 75,500
4ZP+6FJ	Audi Rings and nameplates in Glossy Black and mirror housing in black Forces appearance package in Carbon or Glossy black appearance package	R7,350
4ZP	Black Appearance package Plus	R5,700
PDB	Matte Aluminium package: Roof rails in matte aluminium, matte aluminium window trim strips and front blade, side flaps and diffuser insert in aluminium	No cost
Lighting:		
PXC	Matrix LED headlights Provides precise illumination of the road whilst reducing the risk of dazzling other road users. Using information obtained from the vehicle's sensors, camera and MMI Navigation (if equipped), it identifies the appropriate lighting required. Using these sources, Matrix LED dips or fully extinguishes individual lighting diodes when vehicles are detected ahead. Matrix LED calculates the appropriate lighting required and automatically dips or turns off individual lighting diodes, creating corridors of light either side of the vehicle or the object in front of it. Includes dynamic front and rear indicators which sweep from inside to out.	R 9,050
Mirrors:		
6XL	Electric door mirrors (folding with auto-dimming and memory function) Auto-dimming with memory function, electrically folding, adjustable and heated with built-in LED side indicators and kerb-view function for passenger side. Only available in combination with electrically adjustable front seats with memory function (PV3)	R 6,500
6FT	Mirror housing in matte aluminium look	No cost
6FQ	Mirror housing in Carbon	R 22,700



Optional equipment

Roof/locking/towing systems:		RS 4 Avant
1D4	Trailer towing hitch Manually swivelling ball head with electric release. Operated via a button in the luggage compartment.	R 15,300
3FU	Panaromic glass sunroof	R 28,000
3S3	Roof rails in Matte Aluminum Look	No Cost
Interior:		
2PF	Sports contour leather-wrapped steering wheel w/ multi-function Plus, 3-spoke, flat-bottomed Only available in Alcantara and as part of the RS styling package (PEF)	No Cost
QE1	Storage and luggage compartment package Includes the following items in the car: <ul style="list-style-type: none"> • Storage net on the back of the front seat backrests • Storage compartment on driver's side • Lockable glovebox • Cup holder in the rear center armrest (with foldable backrest 40:20:40) • Luggage compartment net • 12 volt socket • Net in hollow on the left and right of luggage compartment • A bag hook in the luggage compartment 	R 3,800
Seats:		
PV3	Electrically adjustable front seats including memory function for driver's seat Electric adjustment of both front seats with memory function for the driver's side. Includes the following: electric adjustment for seat height, seat forwards/backwards position, seat angle and backrest angle; electric 4-way lumbar support; 2 memory spaces for the electrically adjustable driver's seat and exterior mirrors. Only in combination with Door mirrors with memory function (6XL).	R 3,900
4A3	Seat heating for front seats	R 5, 550



Optional equipment

Seats upholstery and Inlays:

RS 4 Avant

5MB	Decorative inlays in carbon twill For dashboard and door trims.	R 18,900
-----	---	----------

Audio and communications:

9ZE + GB1	Audi phone box Offers wireless charging with Qi enabled compatible phones and creates an additional Bluetooth interface for a second device which means two mobile phones can be connected to the vehicle simultaneously.	R 6,200
9JE	USB charging interface for rear seat passengers	R 1,200

Assistance systems:

PCE	Assistance package including Audi pre sense plus (with Adaptive cruise control, lane keeping system and multifunction camera) Automatic distance regulation, using radar sensors to maintain the required distance between vehicles ahead by braking and accelerating. In conjunction with S tronic or Tiptronic, includes Stop&Go function, where the system brakes the car to a stop. The driver can select from 5 distance thresholds and influence the systems acceleration behaviour via Audi Drive Select. Also features Traffic-jam assist which detects vehicles ahead and on adjacent lanes to assist with the braking, acceleration and also steering up to approximately 60km/h, to keep the vehicle in lane.	R 34,000
PCZ	City and Parking Assistance Package (Includes, Audi pre sense rear, Audi side assist, Park assist with front and rear view camera and two side cameras). This package includes the latest technology to provide help in busy traffic situations, when changing lane, exiting your car and when reversing – for the convenience and protection of all occupants. Includes rear cross-traffic assist, which warns the driver of traffic crossing behind their own vehicle when reversing.	R 7,000
KS1	Head-up display Projects warning messages or driving-related information from assistance systems and the navigation system (if ordered) in full colour onto the windscreen in the driver's direct field of vision, giving the driver faster access to information. The display can also be adjusted in height	R 18,500



Optional equipment

Suspension, brakes & safety:

RS 4 Avant

GH2	quattro® with sports differential The electronically regulated Sport differential distributes variable amounts of driving force to each rear wheel, improving stability and agility, especially when cornering. It ensures better direct steering characteristics and, thanks to less steering effort, more agile handling.	R 25,500
6Y4	Top speed increased to 280 km/h	R 35,200
2MC	RS sports suspension Plus with Dynamic Ride Control (DRC) The sports suspension plus with Dynamic Ride Control (DRC) provides a dynamic driving experience with excellent road holding even when cornering quickly adjustable in three stages; to reduce pitching and rolling movements for improved vehicle handling; Single-tube gas pressure damper with variable damper characteristics and coil springs; Dynamic Ride Control (DRC) control range via Audi drive select, can be selected in three stages: comfort, auto, dynamic (not in conjunction with trailer hitch)	R 36,800
4X4	Rear side airbags For the outer rear seats, incorporated into the seat backrests; supplements the side impact protection in the doors and the standard airbag systems.	R 5,450
1N8	Dynamic Steering The dynamic steering adjusts the steering ratio and steering force to the speed. Increases driving dynamics and driving comfort through a driving situation-dependent dynamic control of the steering, e.g. when cornering, changing lanes or when parking. In addition to adjusting the steering effort (as with electromechanical power steering), the steering angle (steering ratio) is also adjusted. The system also supports vehicle stabilization via ESC.	R 18,900



Important information

Welcome to Audi

Audi Freeway Plan | Motoring Peace of Mind

There can be no better motoring peace of mind than knowing that your car will be serviced, maintained and repaired, should this prove necessary, at no cost to you. Thanks to Audi Freeway Plan, that peace of mind could be yours.

The Audi Freeway Plan absorbs all maintenance and service costs, with the exception of between-service top-up fluids, fuel, cracked or broken glass, and tyres.

Recommended retail pricing is inclusive of an optional 5 year/100,000 km Audi Freeway Plan on all new Audi vehicles.

Top-up options to extend maintenance are available at extremely competitive rates. Audi has specially designed the Audi Freeway Plan for easy operation on the part of the owner. Making an appointment with any one of our approved Audi Servicing Dealers can effect regular servicing and maintenance as well as repairs (with the exception of accident damage).

All work is handled by the relevant service department, which will liaise directly with the Audi Freeway Plan Maintenance Unit. No extra effort or payment is required from the Audi owner. The Audi Freeway Plan is registered with the vehicle and as such is transferable to the new owner should the car be sold before the Audi Freeway Plan has expired, giving added resale value. The Audi Freeway Plan is available in addition to Audi's standard one-year/unlimited distance vehicle warranty. The Audi Freeway Plan is subject to certain exclusions, covers any repairs necessary after the expiry of the standard warranty.

Audi Assist | Emergency and Personal Assistance

Audi Assist is a programme whereby Audi of South Africa and its Dealer Network pledge to provide you with peace of mind motoring by providing the infrastructure to support a countrywide emergency service 24 hours a day, every day.

The programme is known as Audi Assist and operates within the borders of South Africa as well as Namibia and Botswana. The objective of the programme is to ensure on the spot roadside assistance offered by a fully equipped and trained Audi technician.

The primary focus is to get you mobile in your own vehicle. Where a roadside repair cannot be effected and the vehicle needs to be towed to the nearest Audi dealer, you and the occupants of the vehicle will be transported to a place of safety in the dealer's roadside assistance vehicle.

Contact details within South Africa:

086 043 4838

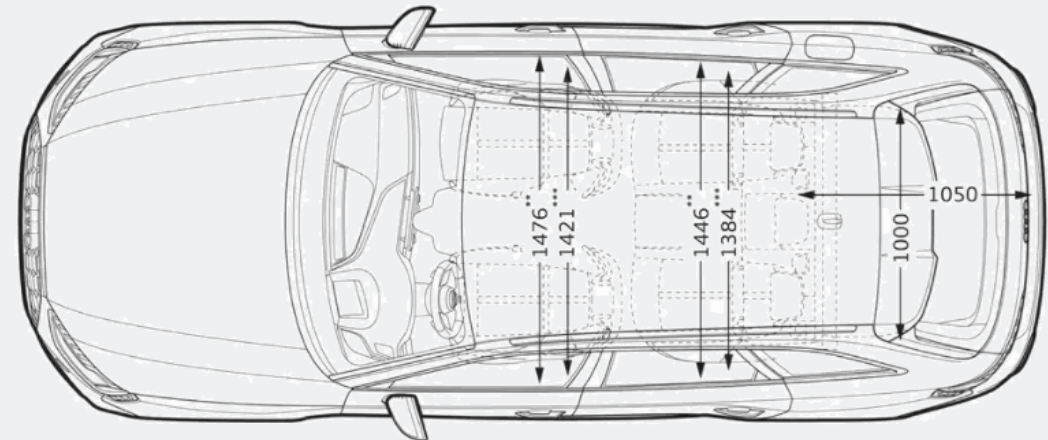
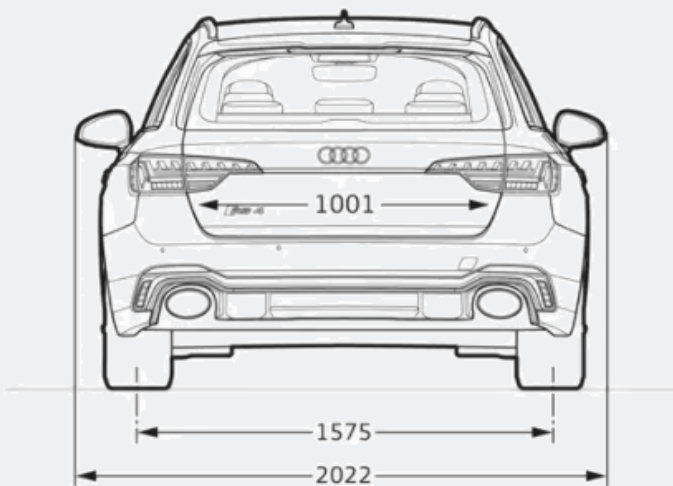
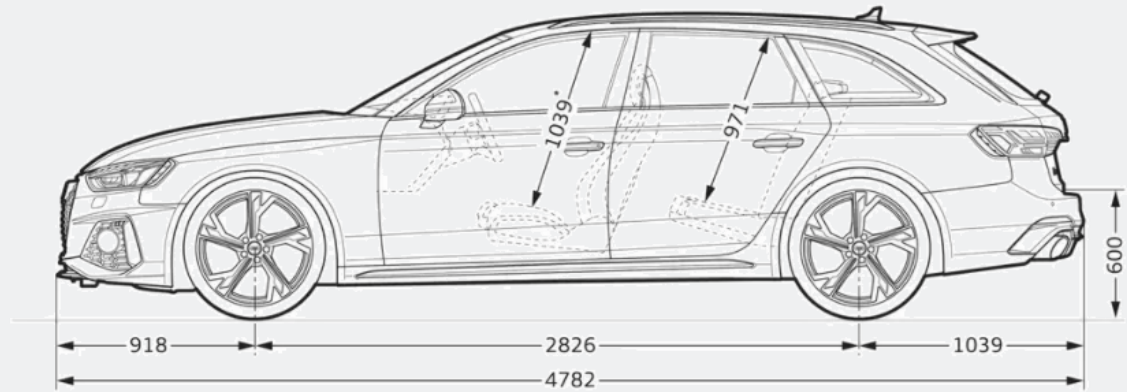
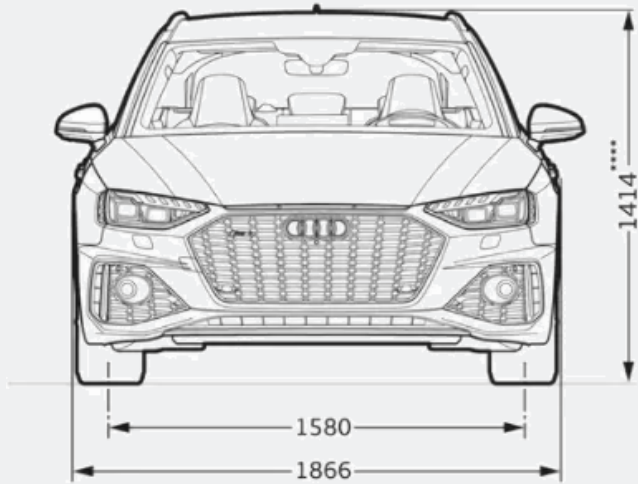
Contact details for neighbouring states:

+27 41 994 5616

24 hours a day, 7 days a week

Vehicle model and VIN number will be required.

Audi RS 4 Avant Dimensions All the measurements you need



Audi RS4 luggage compartment capacity:
495l - nominal position



Information in this pricelist

We've done all we can to make the prices, specifications, technical details and all other information you see in this pricelist accurate at the time of publication. We reserve the right to change prices or specification at any time. All prices shown include VAT, which is currently charged at 15%. Recommended retail pricing is not binding on the dealer and is inclusive of an optional 5 year/100,000km Audi Freeway Plan.

Please check model availability and full specification details with your Audi Dealership prior to ordering. Neither Audi South Africa nor Audi Dealers can accept contractual responsibility for your reliance on the information contained in this pricelist. Performance figures and specifications relating to Audi vehicles are indicative only and performance cannot be guaranteed. Performance figures and specifications may be updated from time to time, when new test results or other information become available. Your local Audi Dealership can always provide you with the most up-to-date information available. Written and visual depictions (including photographs) of vehicles, are for illustrative purposes only and should not be relied upon. Some illustrations may not accurately reflect South African specifications (including paint and trim colours) and may not be available. If in doubt, always contact your local Audi Dealership.